

Omega 1250

Roll-bag Converting

For production of bags on roll with thin gauge film in up to 6 lanes.

- Production speed up to 220 m/min
- More than 5.000 bags/min



} Omega - bags with thin gauge film }

Freezer & Fruit bags



Omega 1250

Roll-bag Converting

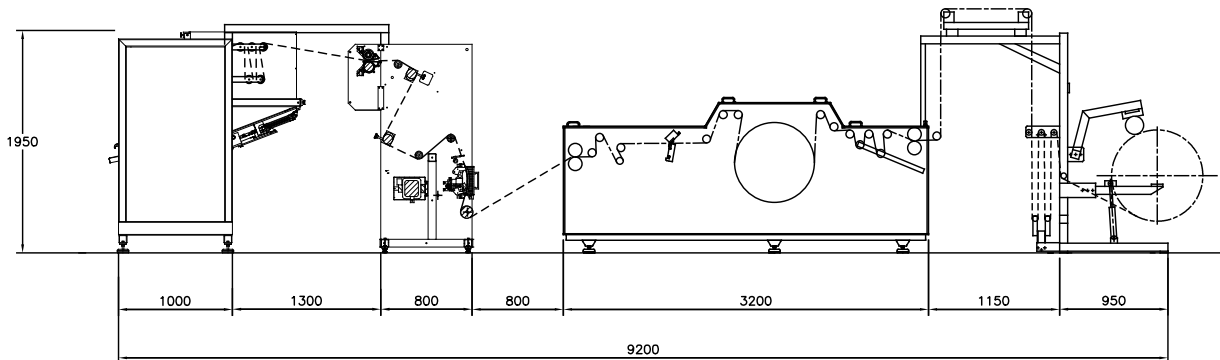
The Omega 1250 is perfect for high-capacity production of bags with thin gauge film, e.g. bags for fruits and vegetables or can liners. It is possible to run in up to 6 lanes, with production speed up to 220 m/min. This solution includes Roll-o-Matic's fully automated multi lane winder.

The Omega 1250 can be delivered in 4 different versions, depending on the requirements for bag length and production cycles. It is possible to start with a dedicated version and upgrade it according to your production demands. The Omega line can run in-line with an extruder or out-of-line, from an unwinder.

Technical data for Omega 1250

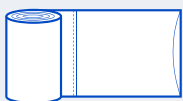
	Omega plus 1250/6	Omega plus 1250/8	Omega plus 1250/6	Omega plus 1250/8
Min. film thickness	5 µm	5 µm	5 µm	5 µm
Max. sealing width	1250 mm (49.1 in)	1250 mm (49.1 in)	1250 mm (49.1 in)	1250 mm (49.1 in)
Min. bag length	250 mm (9.7 in)	250 mm (9.7 in)	250 mm (9.7 in)	250 mm (9.7 in)
Max. bag length	400 mm (15.6 in)	2400 mm (94.6 in)	400 mm (15.6 in)	2400 mm (94.6 in)
Max. speed	220 m/min (720 ft/min)*	220 m/min (720 ft/min)*	220 m/min (720 ft/min)*	220 m/min (720 ft/min)*
Max. cycles/min/lane	700	700	880	880

*) Depending on film quality and thickness.

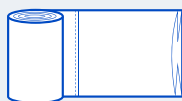


Omega 1250

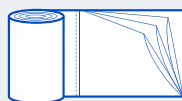
Types of bags



Bottom sealed



Gusseted



Star sealed

Watch video of
Omega 1250

