

W 500 - Winder

Winding of bags on roll

Automatic winding of bags on roll
in 1 or 2 lanes

- Stable & easy to operate
- With or Without cores



} W 500 - Winder }



Headquarters
Roll-o-Matic A/S
Damsbovej 12
DK-5492 Vissenbjerg
Denmark
+45 6611 1618

North America
Roll-o-Matic Inc.
3001 Midpoint Drive
Lancaster
TX 75134 - USA
+1 (435) 237 7408

Latin America
Roll-o-Matic
Varsovia 36, Oficina 1208
Colonia Juárez, Cuauhtémoc
06600 Ciudad de México
+52 56 1111 9911

W 500 - Winder

Winding of bags on roll

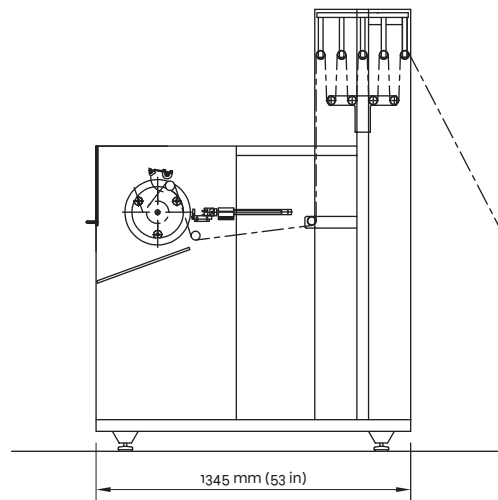
W 500 is a stable, cost-efficient single or double lane winder. It operates with small diameter winding pins for tight rolls and can run with or without core. The W 500 is an excellent solution combined with the Compact bag machine. It is also possible to install the W 500 after your flat bag machine, transforming it in a

flexible low investment bag-maker to produce bags on roll as well as flat bags. It is possible to install equipment for automatic labelling of the finished rolls on paper tape and to add different solutions for automatic packaging of the finished rolls.

Technical data for W 500

Min. winding width	200 mm (7.9 in)
Max. winding width	500 mm (19.7 in)
Max. winding width with core	480 mm (18.9 in)
Max. roll diameter	200 mm (7.9 in)
Max. film speed*	120 m/min (395 ft/min)
Max. roll changes	12/min/lane

*) Depending on film quality and thickness.
Additional equipment: cores, paper tape.



W 500 - Winder

At Roll-o-Matic we always focus on your production demands - therefore all Roll-o-Matic developments are customer-driven and customer-oriented.

The W 500 has been developed according to our customers' requirements for stable, user-friendly and easy to operate winding, where the key parameters are: modest investment, stability, outstanding performance and Return on Investment.

Watch video of
W 500 - Winder

