

W 500 - WINDER

Winding of bags on roll



W 500 - Winder

AUTOMATIC WINDING OF BAGS ON ROLL
IN 1 OR 2 LANES



Roll-o-Matic

- number one in roll-bag solutions

W 500

The W 500 is a stable, cost-efficient and easy to operate single/double lane winder. The W 500 operates with small diameter winding pins for tight rolls and can run with or without core. The W 500 is an excellent solution combined with the Compact/Compact *max*[™] bag machine for optimal winding.

It is also possible to install the W 500 winder after your flat bag machine, transforming it into a flexible low price bag-maker to produce bags on roll as well as flat bags.

The Roll-o-Matic W 500 winder can also operate in other industries and applications such as production of plastic film and paper, either with or without the need for perforation.

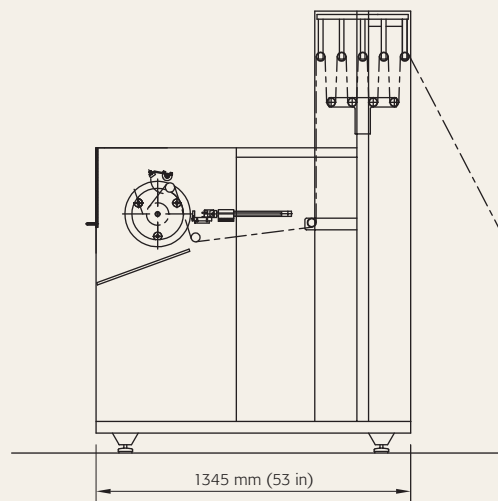
Technical data for W 500

Min. winding width	200 mm (7.9 in)**	Max. winding width with core	480 mm (18.9 in)	Max. film speed	100 m/min (330 ft/min)*
Max. winding width	1x500 mm or 2x200 mm (19.7 in or 2x7.9 in)	Max. roll diameter	Ø 200 mm (7.9 in)	Max. roll changes/lane	10/min

**) Depending on film quality and thickness.*

****) Widths lower than 200 mm possible with extra equipment.*

Additional equipment: folding equipment, cores, hot-melt, paper tape and automated packaging equipment.



W 500

At Roll-o-Matic we always focus on your production demands - therefore all Roll-o-Matic developments are **customer-driven** and **customer-oriented**.

The W 500 has been developed according to our customers' requirements for stable, user-friendly and easy to operate winding, where the key parameters are:

modest investment, stability, outstanding performance and Return on Investment.



North America – Roll-o-Matic Inc.

1300 Minters Chapel Road, Suite 100 · Grapevine
TX 76051 · USA · Phone 1 (435) 237 7408 · sales@roll-o-matic.com

Headquarters – Roll-o-Matic A/S

Damsbovej 12 · DK-5492 · Vissenbjerg · Denmark
Phone +45 6611 1618 · sales@roll-o-matic.com · www.roll-o-matic.com

We reserve the right to change the displayed data.

WE ARE ALSO SPECIALISTS IN CUSTOMIZED SOLUTIONS