

HSW WINDER

Winding of bags on roll



HSW - High Speed Winder

AUTOMATIC WINDING OF BAGS ON ROLL
IN 1 OR 2 LANES



Roll-o-Matic

- number one in roll-bag solutions

HSW 620/860

The HSW is a high-speed winder for single or double lane operation. It has 2x2 winding chucks and is available in 2 widths.

The winding chucks are individually driven, which means that tension can be controlled 100% independently for each

lane. The HSW can run with or without cores and is an excellent choice for high-speed applications with frequent roll changes. Roll changing is synchronised with the perforation unit.

The HSW can be supplied with various accessories for all different bag-on-roll

requirements. The Roll-o-Matic HSW winder can also operate in other industries and applications such as plastic film and paper production with or without perforation.

Technical data for HSW 620

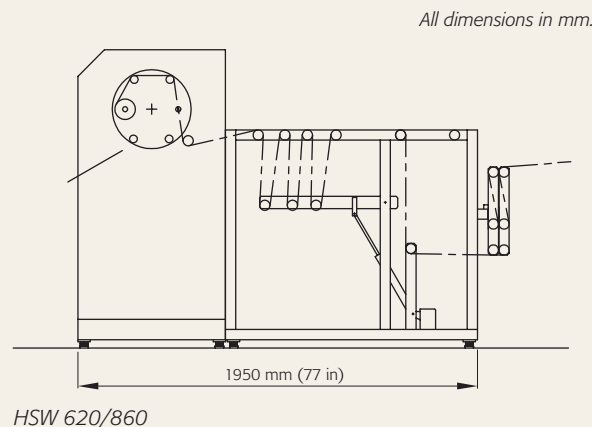
Max. winding width	1 x 620 mm or 2 x 305 mm (1 x 24.2 in or 2 x 12.0 in)	Max. film speed	250 m/min (820 ft/min)*
Max. roll diameter	Ø 250 mm (9.8 in)	Max. roll changes/lane	20/min

**) Depending on film quality and thickness.
Additional equipment: folding equipment, cores, hot-melt, paper tape and automated packaging equipment.*

Technical data for HSW 860

Max. winding width	1 x 860 mm or 2 x 420 mm (1 x 33.9 in or 2 x 16.5 in)	Max. film speed	250 m/min (820 ft/min)*
Max. roll diameter	Ø 250 mm (9.8 in)	Max. roll changes/lane	18/min

**) Depending on film quality and thickness.
Additional equipment: folding equipment, cores, hot-melt, paper tape and automated packaging equipment.*



At Roll-o-Matic we always focus on your production demands - therefore all Roll-o-Matic developments are **customer-driven** and **customer-oriented**.

The HSW-series has been developed according to our customers' requirements for high-speed, stable and easy to operate

winding, where the key parameters are: modest investment, stability, outstanding performance and Return on Investment.



North America – Roll-o-Matic Inc.

1300 Minters Chapel Road, Suite 100 · Grapevine
TX 76051 · USA · Phone 1 (435) 237 7408 · sales@roll-o-matic.com

Headquarters – Roll-o-Matic A/S

Damsbovej 12 · DK-5492 · Vissenbjerg · Denmark
Phone +45 6611 1618 · sales@roll-o-matic.com · www.roll-o-matic.com

We reserve the right to change the displayed data.

WE ARE ALSO SPECIALISTS IN CUSTOMIZED SOLUTIONS